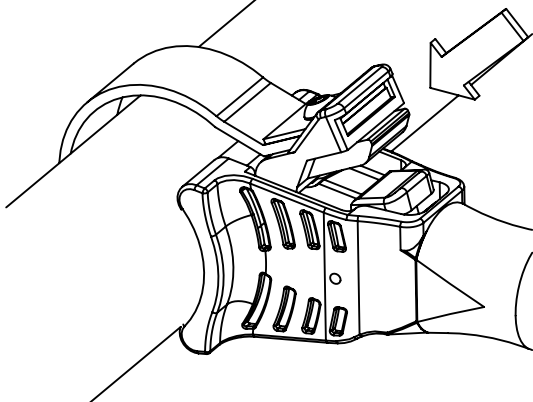
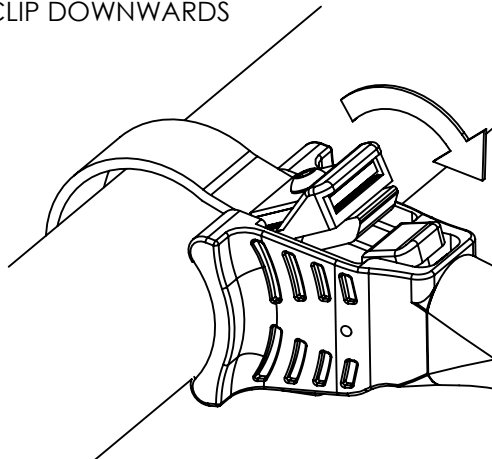


TO ATTACH:

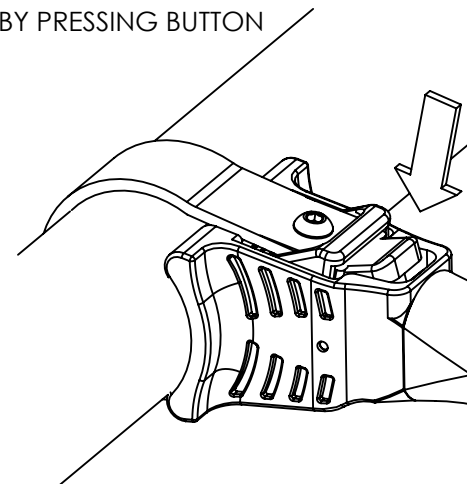
INSERT CLIP IN SLOT



LATCH BY PRESSING CLIP DOWNWARDS

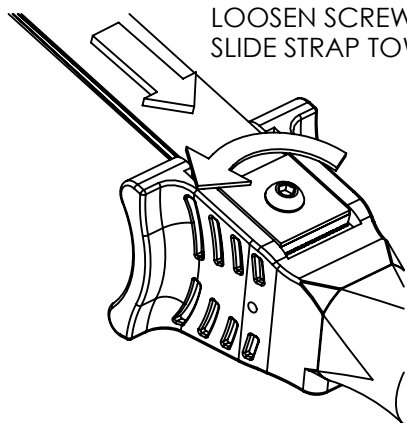


RELEASE BY PRESSING BUTTON

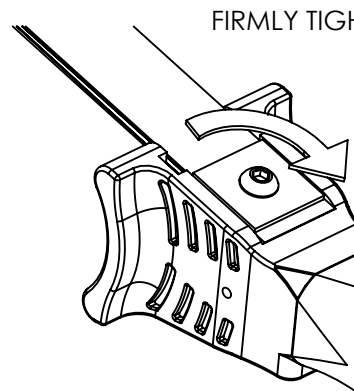


IF STRAP BECOMES LOOSE:

FIRST, DETACH HANDLE FROM BARREL



LOOSEN SCREW AND SLIDE STRAP TOWARDS HANDLE



FIRMLY TIGHTEN SCREW

1151-1, 1151-2, 1151-3