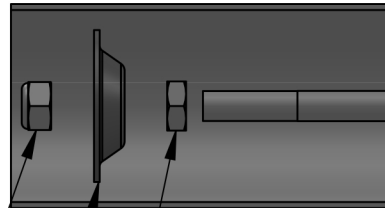


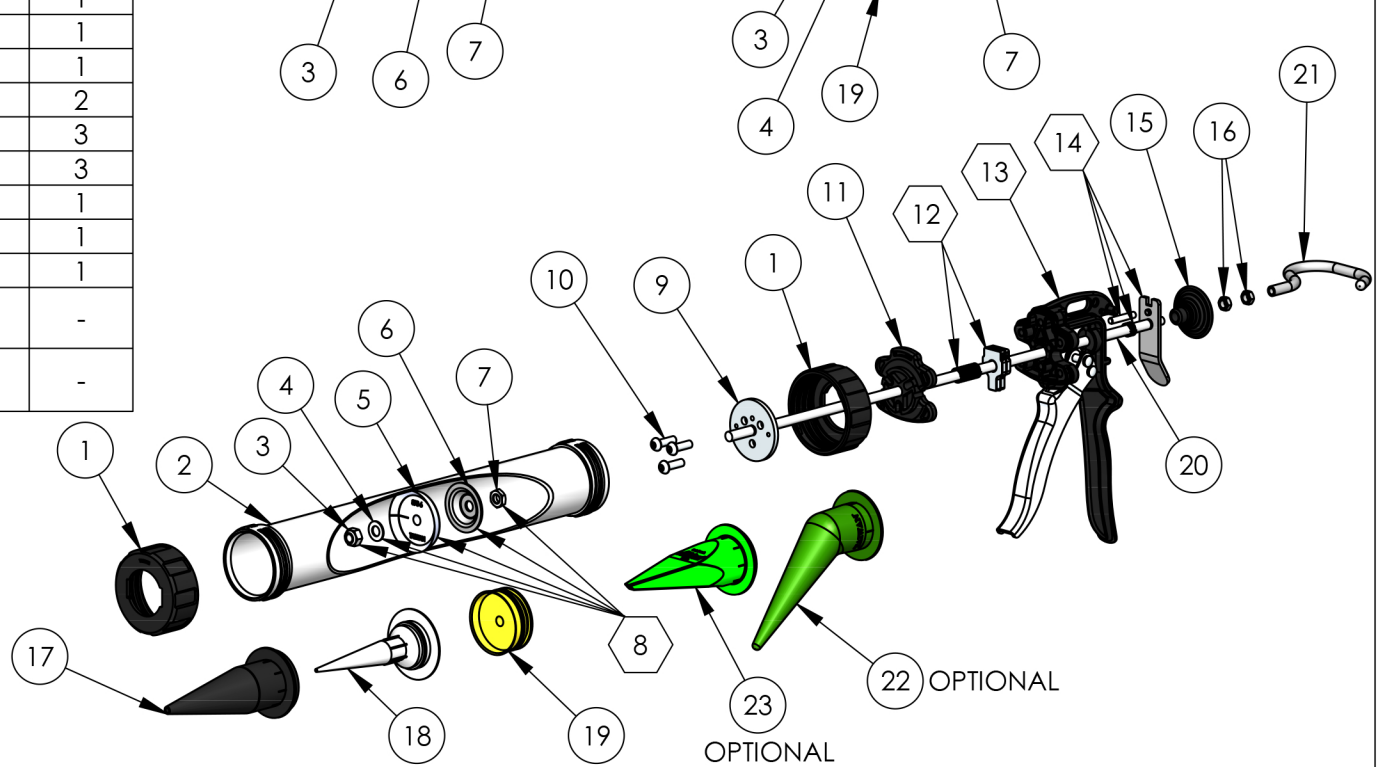
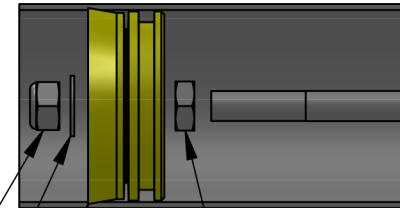
ITEM #	PART #	DESCRIPTION	STD QTY
1	873-5	FRONT CAP	2
2	873-8	BARREL	1
3	37-50	NYLOC NUT	1
4	39-111	WASHER	1
5	873-6	SAUSAGE PISTON	1
6	873-10	PISTON WASHER	1
7	37-51	JAM NUT	1
8	873-22	PISTON REPLACEMENT KIT	-
9	873-99	BACKCAP WASHER	1
10	10-135	SCREW	3
11	873-100	BACKCAP SPACER	1
12	873-57	GRIPPING PLATE/SPRING KIT	1
13	873-104	HANDLE/TRIGGER KIT	1
14	873-56	RECOIL/SPRING/PIN KIT	1
15	873-23	PULL	1
16	873-41	PULL NUT	2
17	873-3	CONE NOZZLE	3
18	873-2	NARROW NOZZLE	3
19	873-35	BULK PISTON	1
20	873-70	ROD	1
21	310-3	HOOK PULL	1
22	935-4	BENT CONE NOZZLE (SOLD SEPARATELY)	-
23	1135-4	SQUARE CONE NOZZLE (SOLD SEPARATELY)	-


REVISIONS				
CN	REV.	DESCRIPTION	DATE	APPROVED
CN1389	1	10-130 WAS 10-111	6/11/14	
CN1406	2	DELETE 873-9 ROD, ADD 873-70 ROD	10/22/14	
CN1448	3	DELETE (1)873-26, (1)873-49, (1)873-51, (1)873-47, (3)10-130, (1)873-46 & (1)873-55 - ADD (1)873-99, (1)873-100, (3)10-135 & (1)873-104	8/4/15	
CN1600	4	REMOVE O-RING FROM 873-35 PISTON AND NOTE 1	9/25/18	
CN1934	5	ADD (1)873-41 & 1135-4, UPDATE LABELS DESCRIPTIONS & BALLON NUMBERS	9/2/25	

CARTRIDGE DISPENSING



BULK DISPENSING



<p>PROPRIETARY AND CONFIDENTIAL</p> <p>THE INFORMATION CONTAINED IN THIS DRAWING IS THE SOLE PROPERTY OF ALBION ENGINEERING CO. ANY REPRODUCTION IN PART OR AS A WHOLE WITHOUT THE WRITTEN PERMISSION OF ALBION ENGINEERING CO. IS PROHIBITED.</p>	MATERIAL	DATE	11/21/11	DIMENSIONAL TOLERANCES UNLESS OTHERWISE SPECIFIED FRAC. ±1/64" ANG. ±30' DEC. ±.005"	SIZE	A	 <p>Albion Engineering Co. 1250 N. Church St. Moorestown, NJ. 08057</p>		
	ALBION 447 MATERIAL SPEC.	DRAWN	BJM		SCALE:1:6				
	FINISH	APP'VD	B26S20 REPLACEMENT PART LIST		DWG. NO.	501-143		REV.	5
		ORIGIN			CN1245	SHEET 1 OF 1			