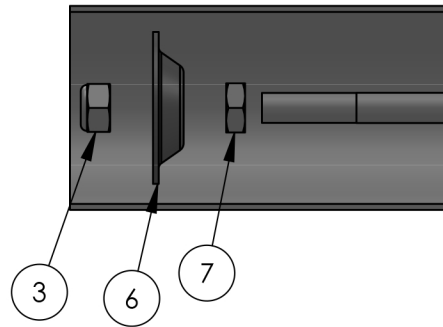


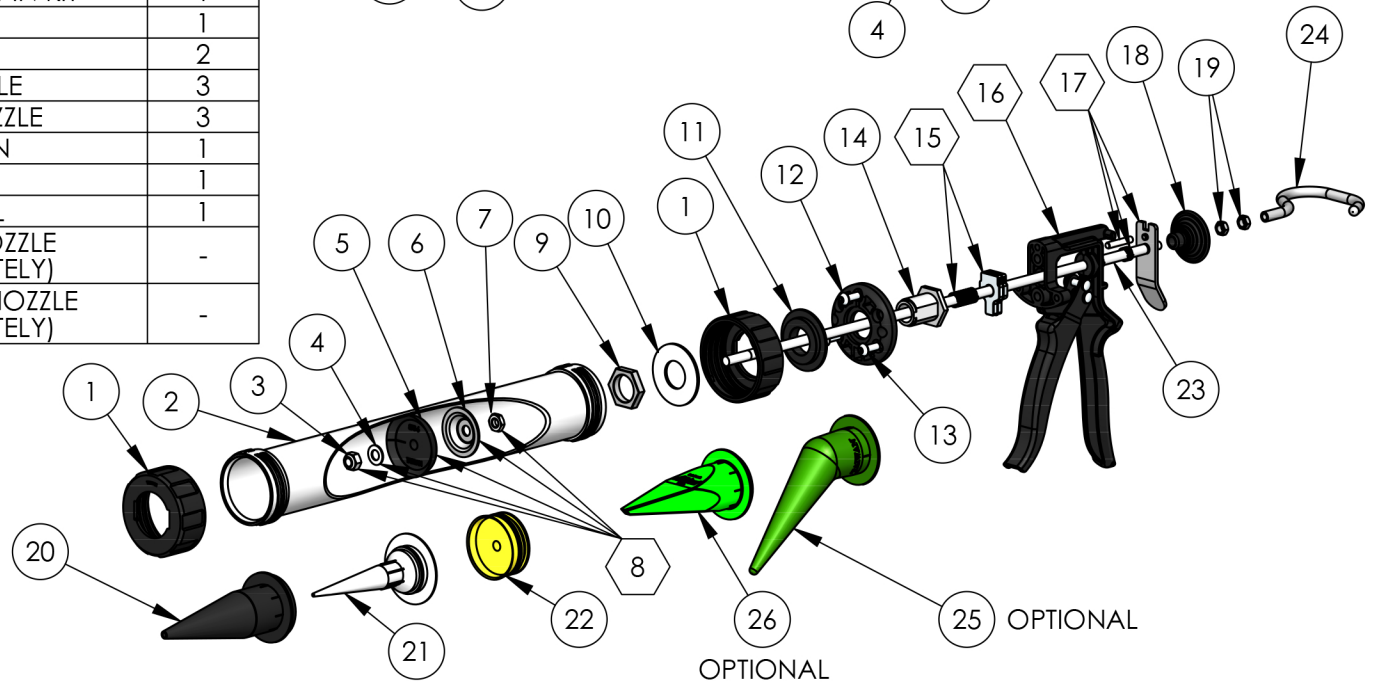
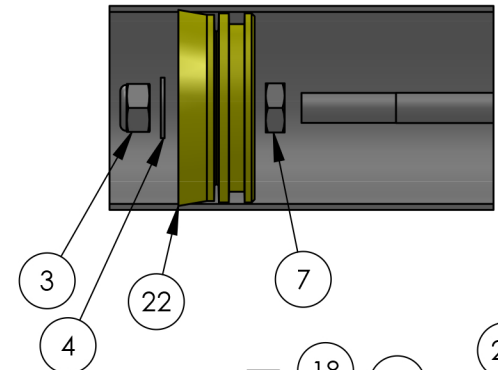
ITEM #	PART #	DESCRIPTION	STD QTY
1	873-5	FRONT CAP	2
2	873-8	BARREL	1
3	37-50	NYLOC NUT	1
4	39-111	WASHER	1
5	873-6	SAUSAGE PISTON	1
6	873-10	PISTON WASHER	1
7	37-51	JAM NUT	1
8	873-22	PISTON REPLACEMENT KIT	-
9	873-26	BARREL SCREW NUT	1
10	873-49	BACKCAP WASHER	1
11	873-51	BACKCAP SPACER	1
12	873-47	BARREL SCREW HOLDER	1
13	10-130	SCREW	3
14	873-46	BARREL SCREW	1
15	873-57	GRIPPING PLATE/SPRING KIT	1
16	873-44	HANDLE/TRIGGER KIT	1
17	873-45	RECOIL/SPRING/PIN KIT	1
18	873-23	PULL	1
19	873-41	PULL NUT	2
20	873-3	CONE NOZZLE	3
21	873-2	NARROW NOZZLE	3
22	873-35	BULK PISTON	1
23	873-70	ROD	1
24	310-3	HOOK PULL	1
25	935-4	BENT CONE NOZZLE (SOLD SEPARATELY)	-
26	1135-4	SQUARE CONE NOZZLE (SOLD SEPARATELY)	-

REVISIONS				
CN	REV.	DESCRIPTION	DATE	APPROVED
CN1389	1	10-130 WAS 10-111	6/11/14	
CN1406	2	DELETE 873-9 ROD, ADD 873-70 ROD	10/22/14	
CN1600	3	REMOVE O-RING FROM 873-35 PISTON AND NOTE 1	9/25/18	
CN1934	4	ADD (1)873-41 AND 1135-4, UPDATE NOZZLE DESCRIPTIONS	9/2/25	

CARTRIDGE DISPENSING



BULK DISPENSING



PROPRIETARY AND CONFIDENTIAL

THE INFORMATION CONTAINED IN THIS DRAWING IS THE SOLE PROPERTY OF ALBION ENGINEERING CO. ANY REPRODUCTION IN PART OR AS A WHOLE WITHOUT THE WRITTEN PERMISSION OF ALBION ENGINEERING CO. IS PROHIBITED.

MATERIAL	DATE	9/23/10
ALBION 447 MATERIAL SPEC.	DRAWN	BJM
FINISH	APPV'D	
	ORIGIN	CN1245

DIMENSIONAL TOLERANCES UNLESS OTHERWISE SPECIFIED FRAC. ±1/64" ANG. ±30' DEC. ±.005"	SIZE A
B18S20 REPLACEMENT PART LIST	SCALE: 1:6

Albion DISPENSING SOLUTIONS

Albion Engineering Co.
1250 N. Church St.
Moorestown, NJ. 08057

DWG. NO. 501-133 REV. 4 SHEET 1 OF 1