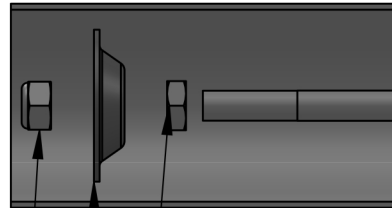


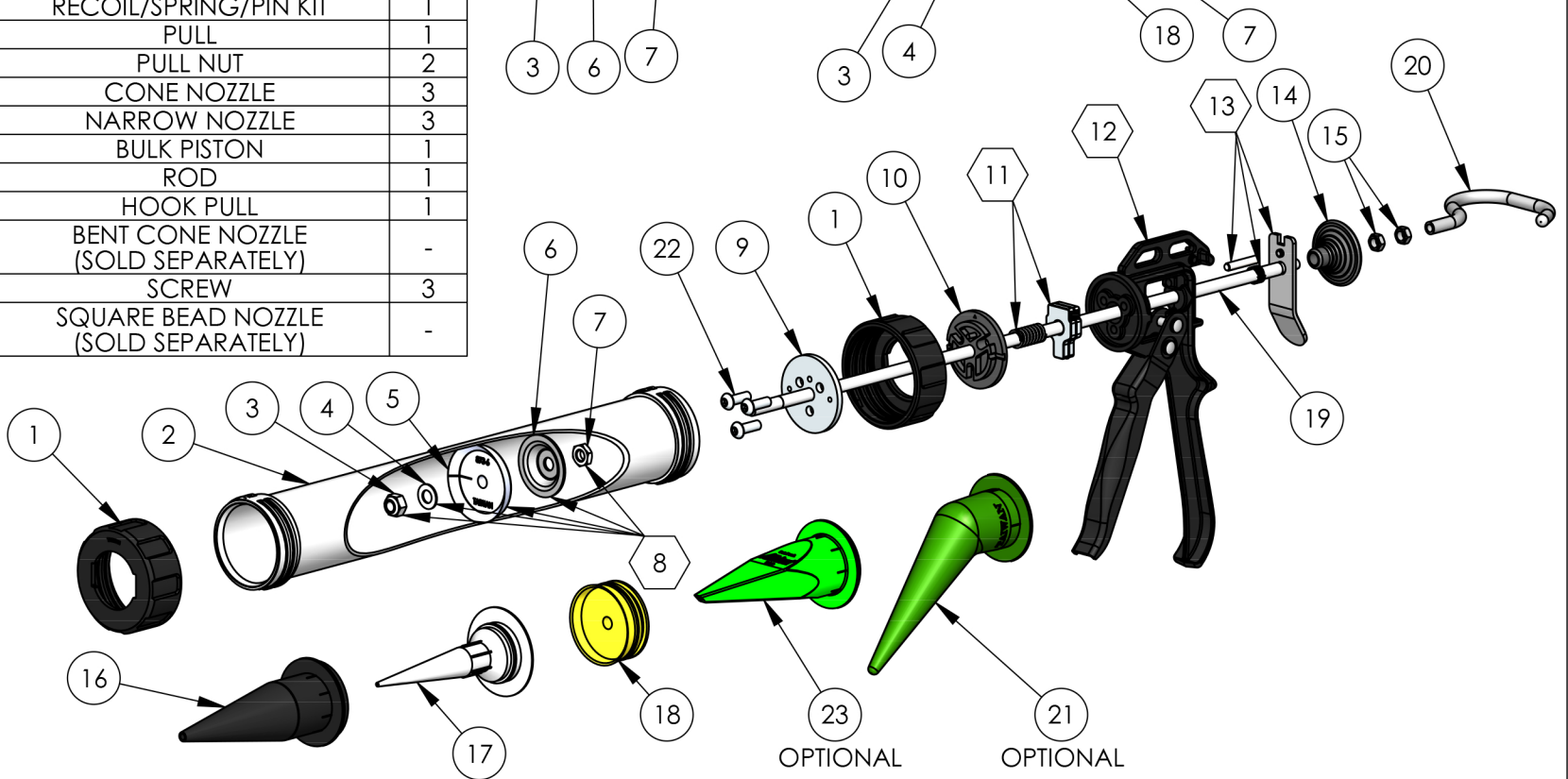
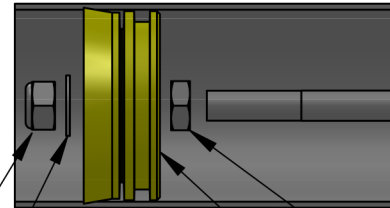
ITEM#	PART #	DESCRIPTION	STD QTY
1	873-5	FRONT CAP	2
2	873-8	BARREL	1
3	37-50	NYLOC NUT	1
4	39-111	WASHER	1
5	873-6	SAUSAGE PISTON	3
6	873-10	PISTON WASHER	1
7	37-51	JAM NUT	1
8	873-22	PISTON REPLACEMENT KIT	-
9	873-99	BACKCAP WASHER	1
10	873-98	BACKCAP SPACER	1
11	873-40	GRIPPING PLATE/SPRING KIT	1
12	873-103	HANDLE/TRIGGER KIT	1
13	873-39	RECOIL/SPRING/PIN KIT	1
14	873-23	PULL	1
15	873-41	PULL NUT	2
16	873-3	CONE NOZZLE	3
17	873-2	NARROW NOZZLE	3
18	873-35	BULK PISTON	1
19	873-9	ROD	1
20	310-3	HOOK PULL	1
21	935-4	BENT CONE NOZZLE (SOLD SEPARATELY)	-
22	10-136	SCREW	3
23	1135-4	SQUARE BEAD NOZZLE (SOLD SEPARATELY)	-

CN		REV.	REVISIONS	DATE	APPROVED
			DESCRIPTION		
CN1448	1		DELETE (1)873-38, (1)873-20 & (1)873-51 ADD (1)873-103, (1)873-98, (1)873-99 & (3)10-136	8/4/15	
CN1600	2		REMOVE O-RING FROM 873-35 PISTON AND NOTE 1	9/25/18	
CN1934	3		ADD (1)873-41 AND 1135-4, UPDATE NOZZLE DESCRIPTIONS	9/2/25	

CARTRIDGE DISPENSING



BULK DISPENSING



PROPRIETARY AND CONFIDENTIAL

THE INFORMATION CONTAINED IN THIS DRAWING IS THE SOLE PROPERTY OF ALBION ENGINEERING CO. ANY REPRODUCTION IN PART OR AS A WHOLE WITHOUT THE WRITTEN PERMISSION OF ALBION ENGINEERING CO. IS PROHIBITED.

MATERIAL	DATE	4/28/10
ALBION 447 MATERIAL SPEC.	DRAWN	BJM
FINISH	APPV'D	
	ORIGIN	CN1245

DIMENSIONAL TOLERANCES UNLESS OTHERWISE SPECIFIED FRAC. ±1/64" ANG. ±30' DEC. ±.005"	SIZE A
B12S20 REPLACEMENT PART LIST	SCALE:1:4.5

Albion DISPENSING SOLUTIONS

Albion Engineering Co.
1250 N. Church St.
Moorestown, NJ. 08057

DWG. NO. 501-126 REV. 3 SHEET 1 OF 1