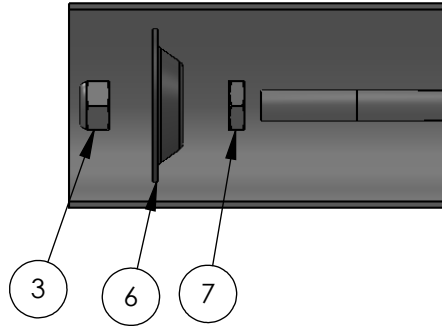


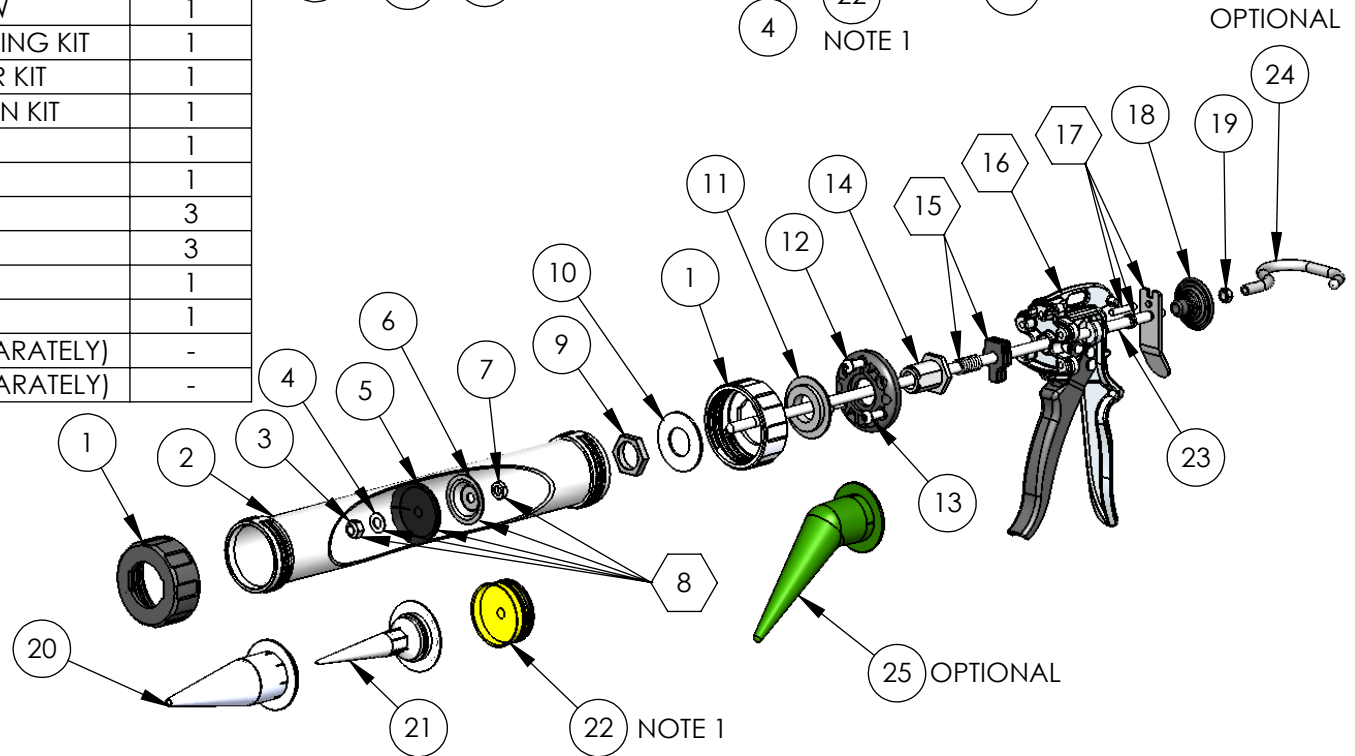
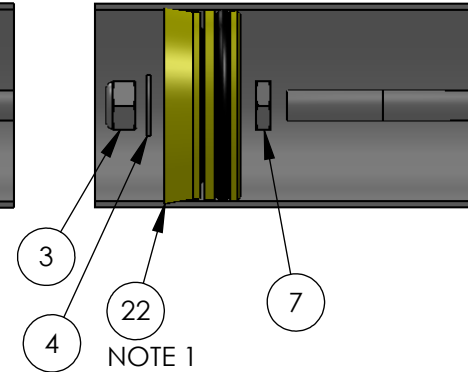
ITEM #	PART #	DESCRIPTION	STD QTY
1	873-5	FRONT CAP	2
2	873-8	BARREL	1
3	37-50	NYLOC NUT	1
4	39-111	WASHER	1
5	873-6	SAUSAGE PISTON	1
6	873-10	PISTON WASHER	1
7	37-51	JAM NUT	1
8	873-22	PISTON REPLACEMENT KIT	-
9	873-26	BARREL SCREW NUT	1
10	873-49	BACKCAP WASHER	1
11	873-51	BACKCAP SPACER	1
12	873-47	BARREL SCREW HOLDER	1
13	10-130	SCREW	3
14	873-46	BARREL SCREW	1
15	873-57	GRIPPING PLATE/SPRING KIT	1
16	873-55	HANDLE/TRIGGER KIT	1
17	873-56	RECOIL/SPRING/PIN KIT	1
18	873-23	PULL	1
19	873-41	PULL NUT	1
20	873-3	CONE	3
21	873-2	NOZZLE	3
22	873-35	BULK PISTON	1
23	873-70	ROD	1
24	310-3	HOOK PULL(SOLD SEPARATELY)	-
25	935-4	BENT CONE(SOLD SEPARATELY)	-

REVISIONS				
CN	REV.	DESCRIPTION	DATE	APPROVED
CN1389	1	10-130 WAS 10-111	6/11/14	
CN1406	2	DELETE 873-9 ROD, ADD 873-70 ROD	10/22/14	

CARTRIDGE DISPENSING



BULK DISPENSING



NOTE:
1. O-RING ON BULK PISTON NOT REQUIRED FOR MOST APPLICATIONS.

PROPRIETARY AND CONFIDENTIAL THE INFORMATION CONTAINED IN THIS DRAWING IS THE SOLE PROPERTY OF ALBION ENGINEERING CO. ANY REPRODUCTION IN PART OR AS A WHOLE WITHOUT THE WRITTEN PERMISSION OF ALBION ENGINEERING CO. IS PROHIBITED.	MATERIAL	DATE	11/21/11	DIMENSIONAL TOLERANCES UNLESS OTHERWISE SPECIFIED FRAC. ±1/64" ANG. ±30' DEC. ±.005"	SIZE	A	Albion Engineering Co. 1250 N. Church St. Moorestown, NJ. 08057	
	ALBION 447 MATERIAL SPEC.	DRAWN	BJM		SCALE:1:6			
	FINISH	APP'VD	B26S20 REPLACEMENT PART LIST		DWG. NO.	501-143	REV.	2
		ORIGIN			CN1245		SHEET 1 OF 1	