

# The Best Just Keeps Gettin' Better!™

## Smoother Dispensing B12-Drive Guns



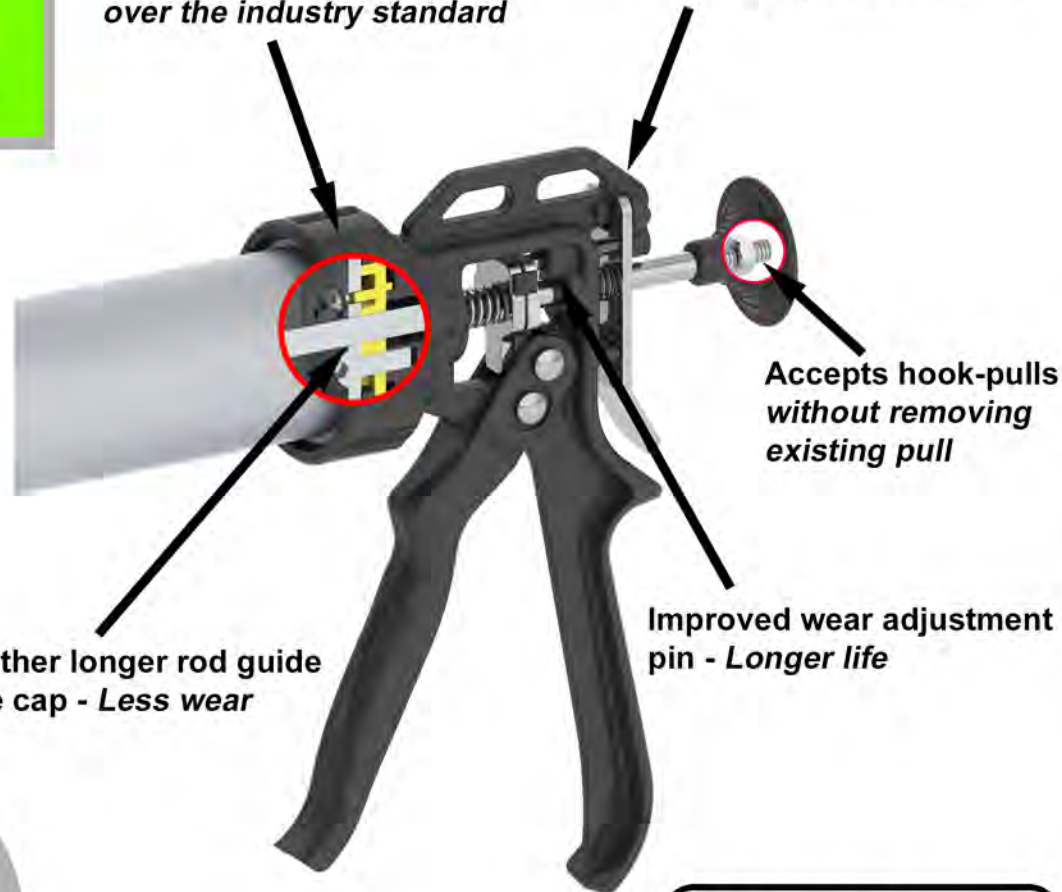
Barrel swivel is smoother, more consistent

- Barrel won't come loose when swiveling / twisting
- No proprietary wrench needed to tighten
- Better rod support
- Less friction and rod wear



Stronger backcap to handle connection for smoother swiveling - *An improvement over the industry standard*

Improved recoil control - *No hang-up as rod wears*



Smoother longer rod guide inside cap - *Less wear*

Accepts hook-pulls without removing existing pull

Improved wear adjustment pin - *Longer life*

# The B-Line

- Durable
- Efficient
- Dependable

### The Albion B-Line



**B12/High Thrust B26**



**B12Q/High Thrust B26Q**



**B12S20/High Thrust B26S20**



**B12B20/High Thrust B26B20**



**B12B30/High Thrust B26B30**



Albion Engineering Co.

1250 N. Church St.  
Moorestown, NJ. 08057  
856-235-6688

service@albioneng.com  
[www.albioneng.com](http://www.albioneng.com)